

# BAR CHILLERS & FREEZERS

## Solid Door Underbench Bar Fridge & Freezer

- Chiller or freezer
- Lockable, food-safe storage
- Digital temperature controller and display
- High ambient operating temperature of up to 32°C
- Adjustable feet
- Easily removable adjustable shelving/baskets
- Smooth edge, easy grasp handle
- Fully reversible door
- Self-closing doors
- Note if door reversed you will lose the self close function
- Fan assisted chiller
- Static freezer

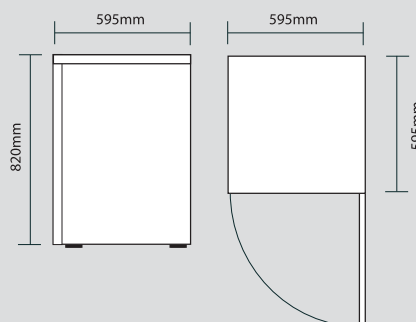
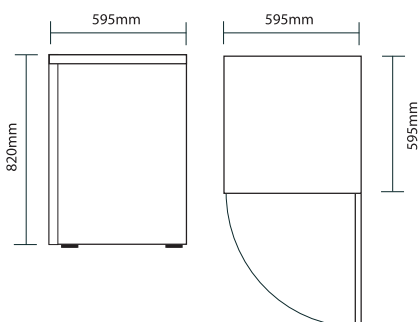


**Stainless Steel Underbench Chiller**  
UBC0140SD



**Stainless Steel Underbench Freezer**  
UBF0140SD

	UBC0140SD	UBF0140SD
<b>Bromic Part Number</b>	3736208	3736209
<b>Capacity - Gross (litres)</b>	138L	105L
<b>External Dimensions (mm)</b>	595w x 595d x 820h	595w x 595d x 820h
<small>Depth dimensions exclude lightbox and handle protrusions</small>		
<b>Internal Dimensions (mm)</b>	490w x 400d x 680h	490w x 400d x 680h
<b>Temperature range (°C)</b>	0 to +10°C	-16 to -24°C
<b>Max. ambient temp °C/RH%</b>	32°C/55%	32°C/55%
<b>Refrigeration Power (Watts)</b>	90W	100W
<b>Current (Amps)</b>	0.9A	0.9A
<b>Plug Supplied</b>	Yes	Yes
<b>Reversible Doors</b> <small>Note if door reversed you will lose the self close function</small>	Yes	Yes
<b>Door Material</b>	Stainless Steel	Stainless Steel
<b>Door Lock</b>	Yes	Yes
<b>Temperature controller</b>	Digital	Digital
<b>Number of shelves</b>	3	3 baskets
<b>Gross weight (kg)</b>	38Kg	38Kg
<b>Refrigerant</b>	R134a	R404a
<b>Colour</b>	Stainless Steel	Stainless Steel
<b>Power Usage (at 30 °C/60%RH)</b>	2.8KWh/24hr	2.8KWh/24hr



**WARRANTY 1** YR PARTS  
YR LABOUR