

# P-PI-1875C

Designed for  
Australian  
Conditions

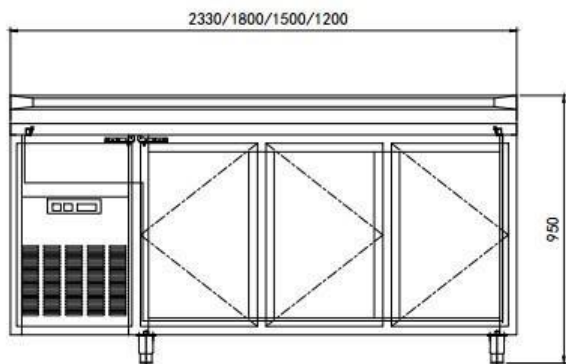
## Standard Features:

- ✓ Side mounted self contained cabinet with fan forced evaporator cooling
- ✓ Stainless steel with fully covered interior surfaces designed for easier cleaning and maintenance
- ✓ Swivel and brake castors
- ✓ doors with easy to clean handles and spring door closers
- ✓ Replaceable magnetic gaskets
- ✓ Removable / interchangeable pots
- ✓ Plumbing-free design using self evaporating drainage
- ✓ Low noise / high efficiency Danfoss compressor automatic defrost and EBM fan for the condenser
- ✓ CFC free refrigerant and insulation foam
- ✓ Temperature setting is easy, fast and accurate with a Carel digital temperature control panel with LED display mounted on cabinet exterior
- ✓ 12 months warranty parts & labour
- ✓ Fully insulated glass display with anti-fog demisters

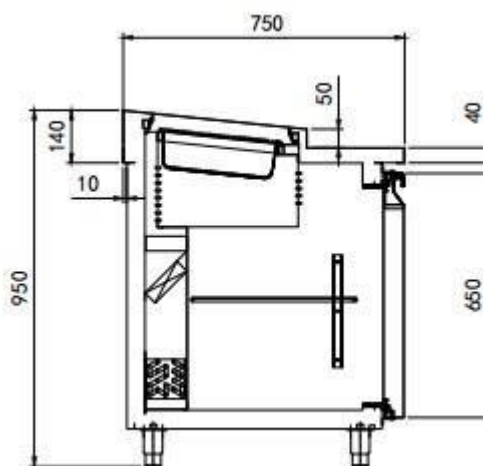


## SPECIFICATIONS

Dimensions (w x d x h)	1800mm x 750mm x 850/195
Operating Conditions	<b>0°C - 5°C ( 32°C Ambient)</b>
Capacity	439L
Voltage	220~ 240 / 50
Power	0.65KW
No. of Doors	3
Weight	



Front View



Side View